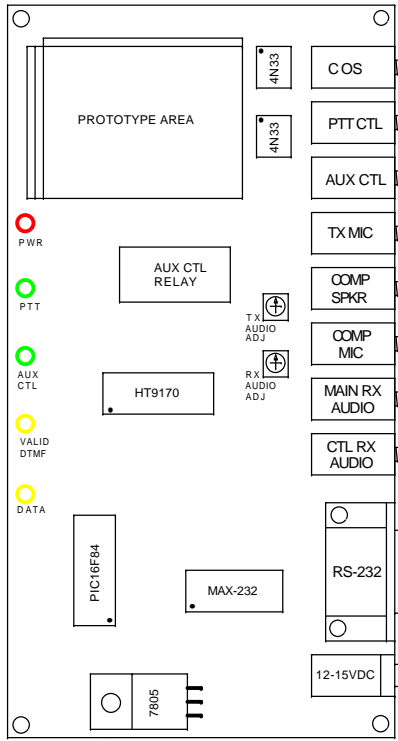
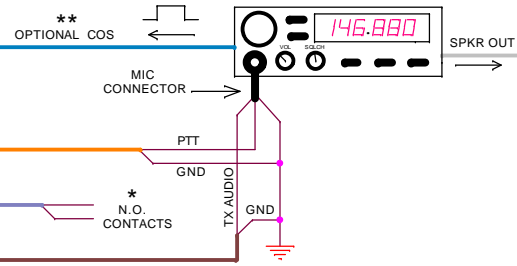


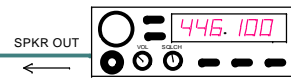
W5TXR LINKING INTERFACE



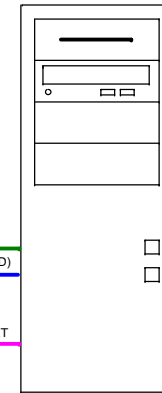
MAIN LINK TRANSCEIVER



CONTROL RECEIVER / SCANNER

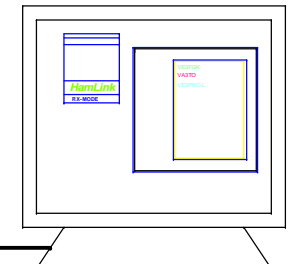


COMPUTER



For the purpose of clarity, transceiver power & antenna connections, and computer power & other peripheral connections are assumed.

MONITOR



Use a 12V "Wallwart" D/C converter with 2.1mm centre-positive barrel connector, or wire directly to radio power supply.

2.1mm Center Positive plug.

** OPTIONAL COS

Linking software can be configured to use the Serial CD* line as a hard COS signal instead of VOX, for more positive RX switching. Some radios provide a ready COS signal, others will require the signal to be picked off internally, i.e. from an LED, Squelch pot or some other signal that switches when the squelch changes state. Signal should be Active-Hi (Hi when squelch open) at 2 to 5 vdc. Modify radio at your own risk.

* ISOLATED NORMALLY OPEN AUXILIARY CONTROL CONTACTS. Controlled by DTMF "C" (ON) and "D" (OFF), may be used to turn on/off any desired peripheral.

(NOT TO SCALE)

www.w5txrlabs.com			
Title W5TXR V2.1 HOOKUP DIAGRAM			
Size	Document Number	Rev	
B	<Doc>	v2.1	
Date:	Thursday, February 24, 2011	Sheet	1 of 2