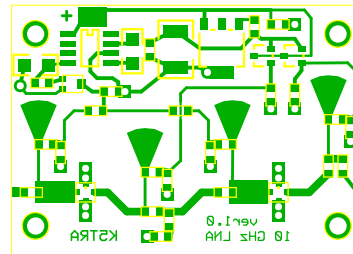
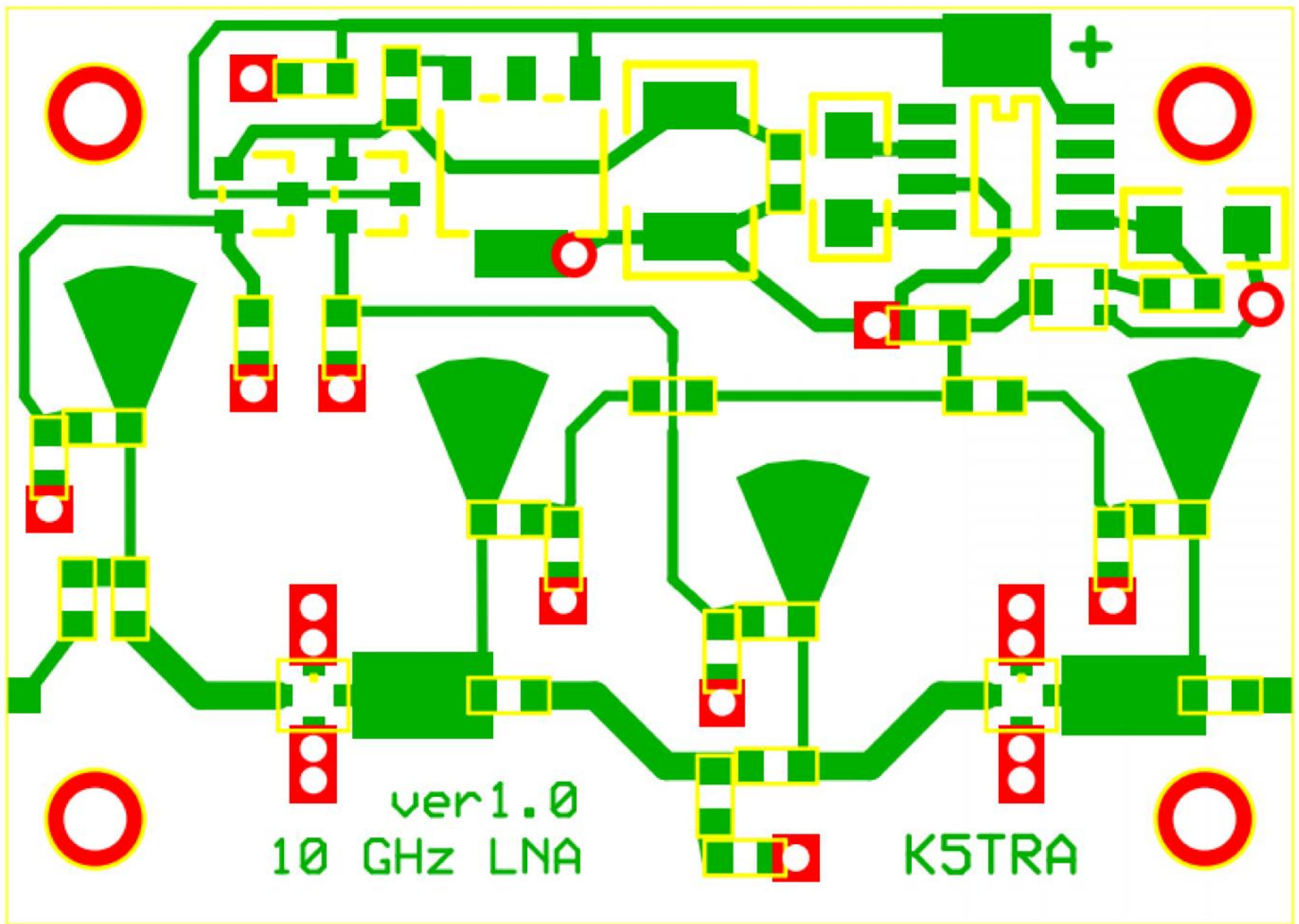


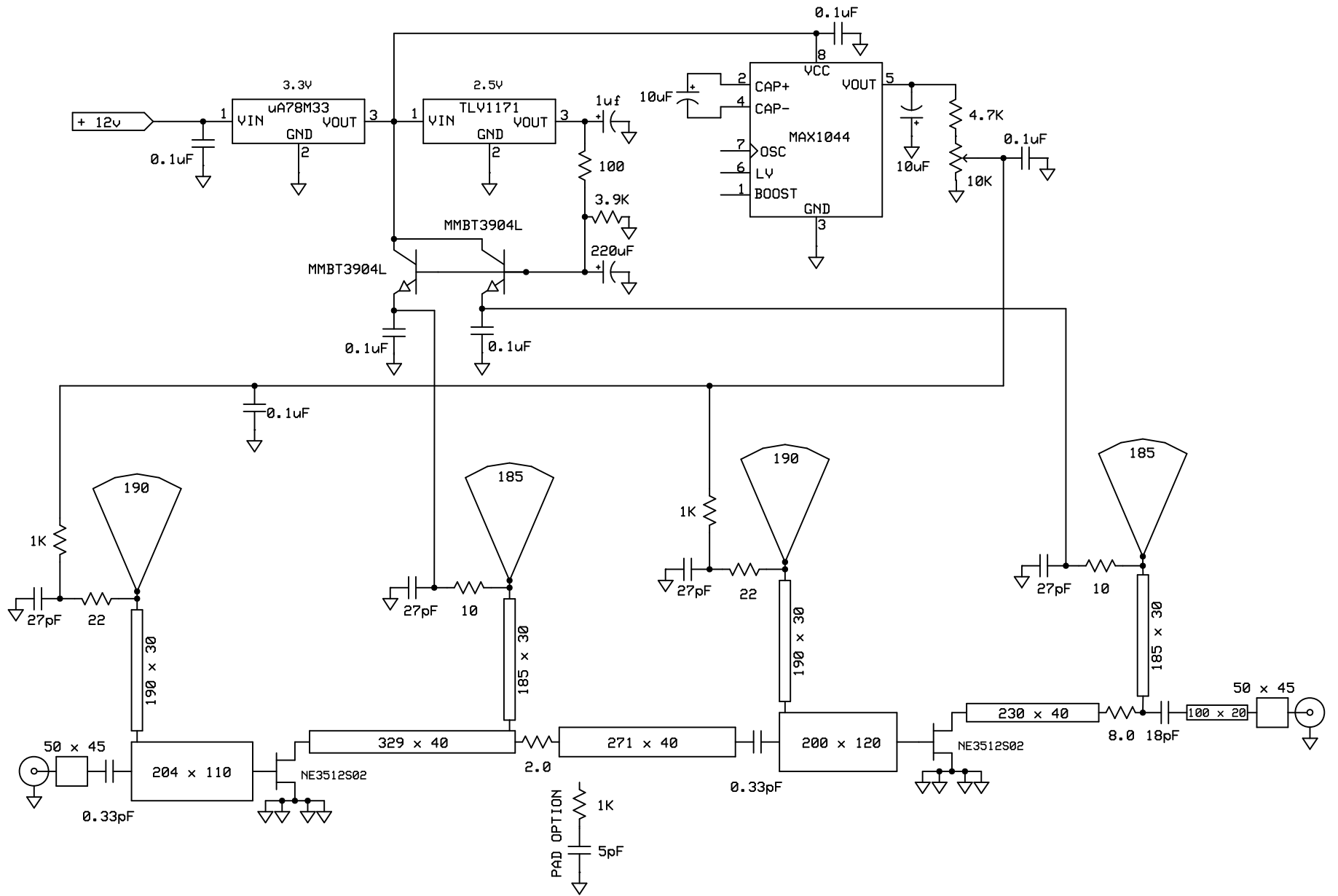
10 GHz LNA DESIGN

K5TRA

July 2015

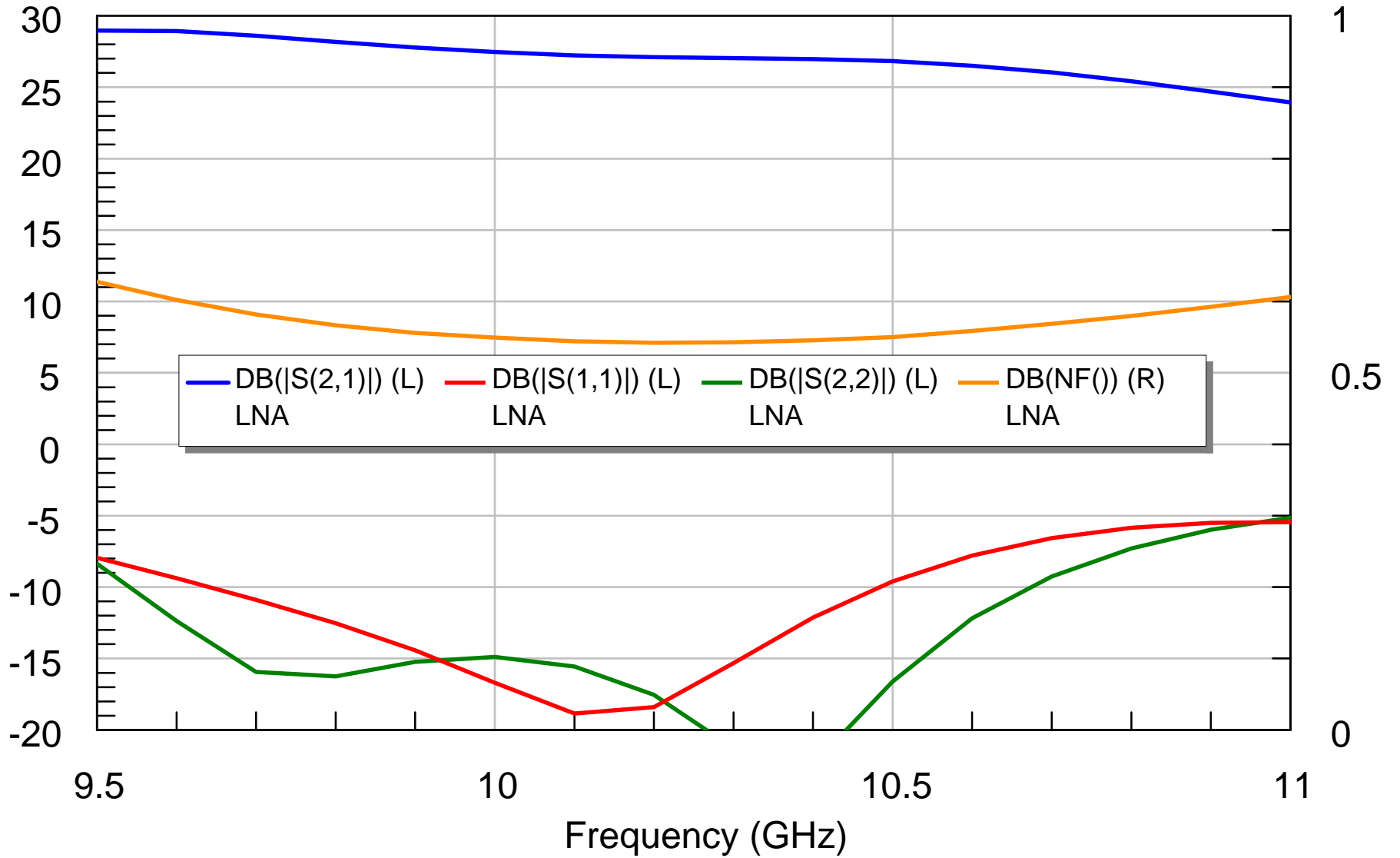






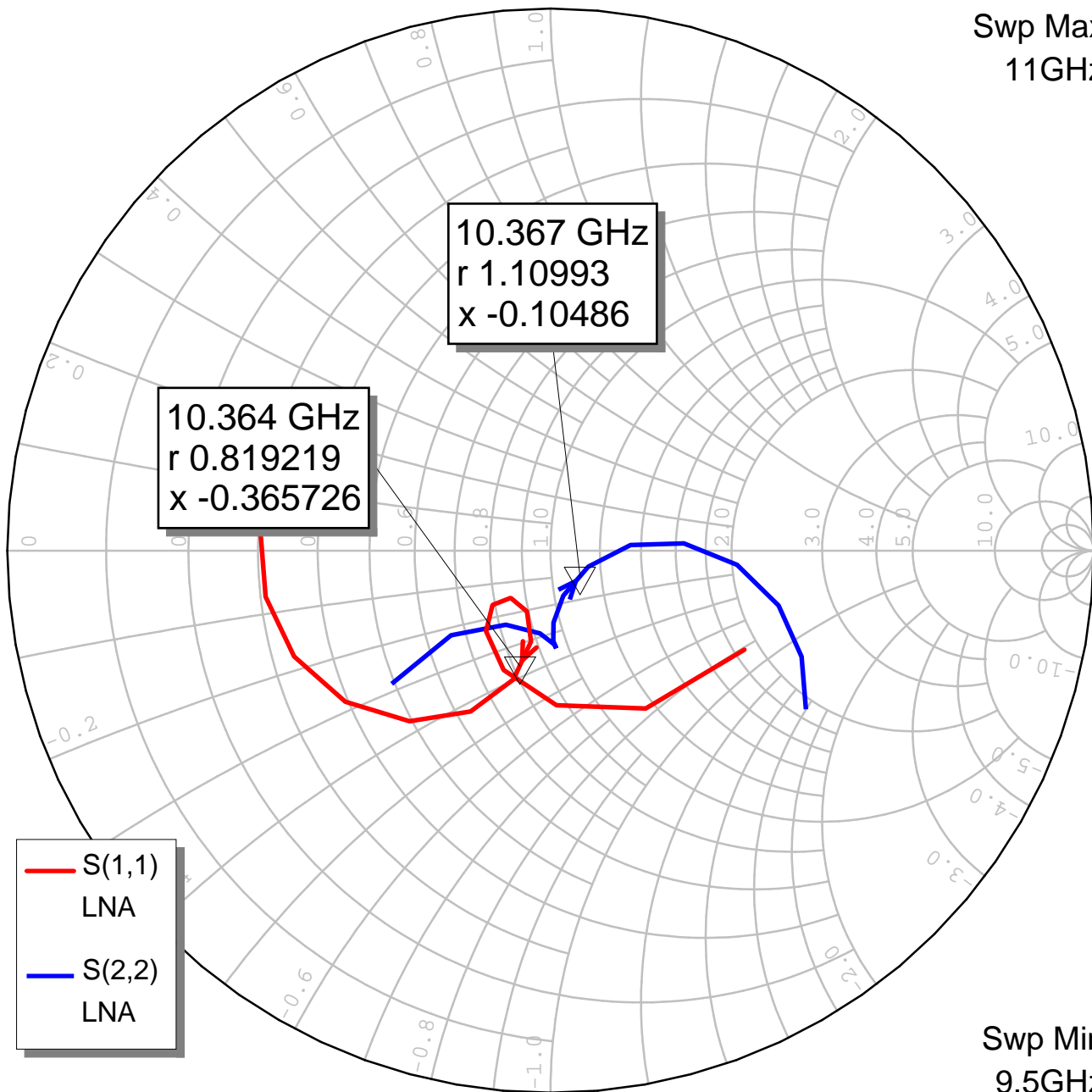
10 GHz LNA		
K5TRA		
R04003	Rev 1.0 6/27/2015	Dk = 3.38 H = 0.020"

10 GHz LNA



LNA Reflection

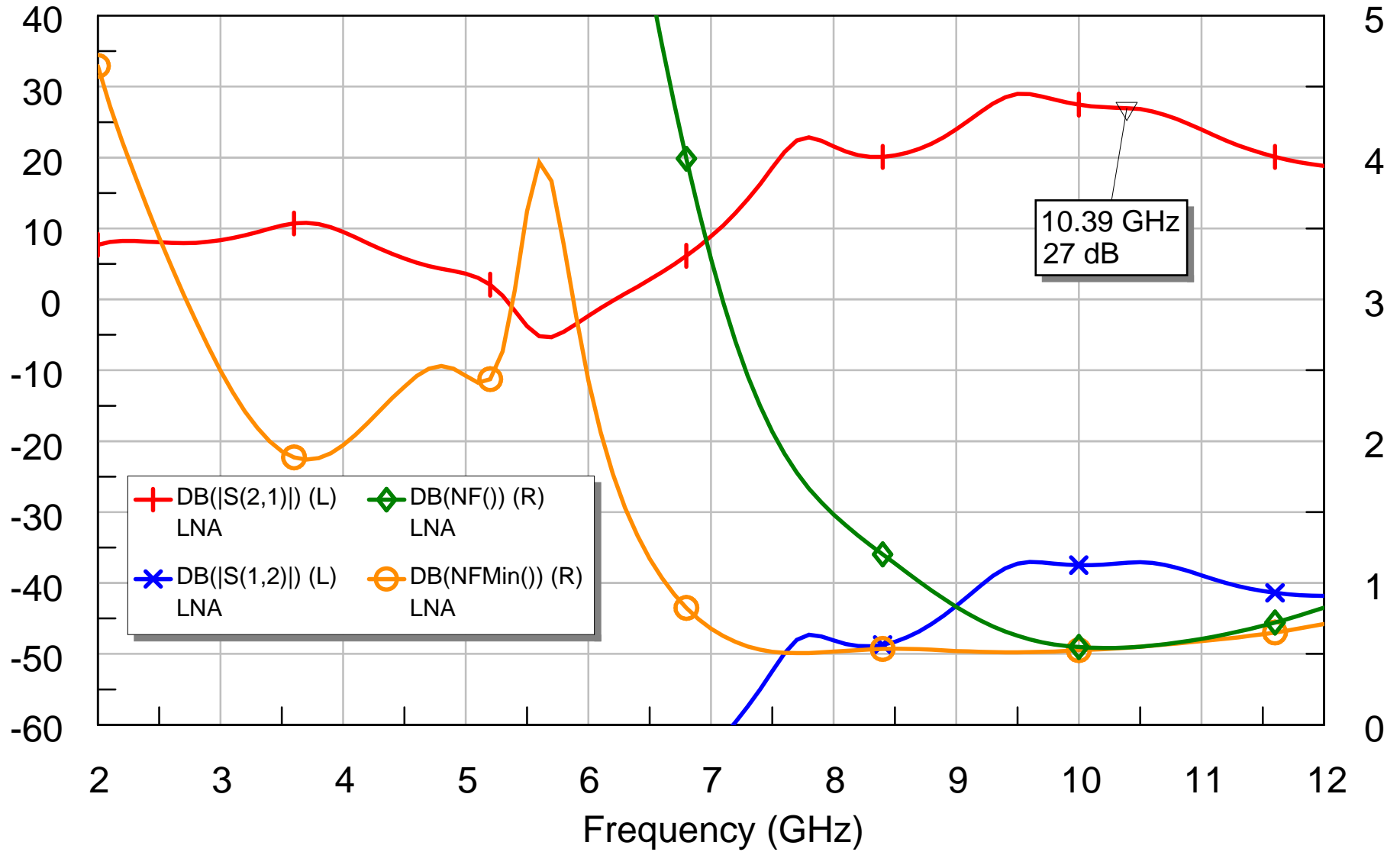
Swp Max
11GHz



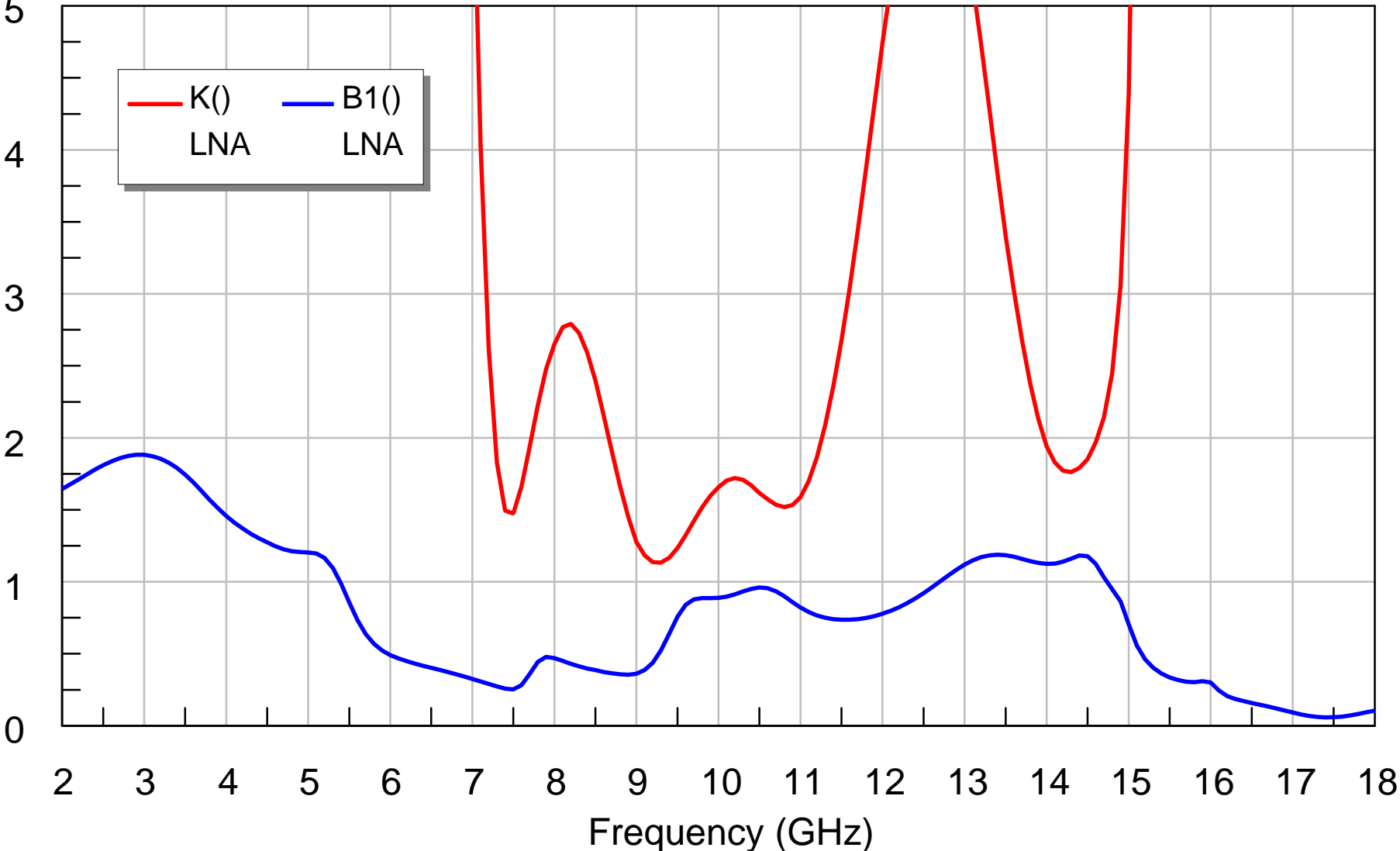
— S(1,1)
LNA
— S(2,2)
LNA

Swp Min
9.5GHz

LNA Transmission



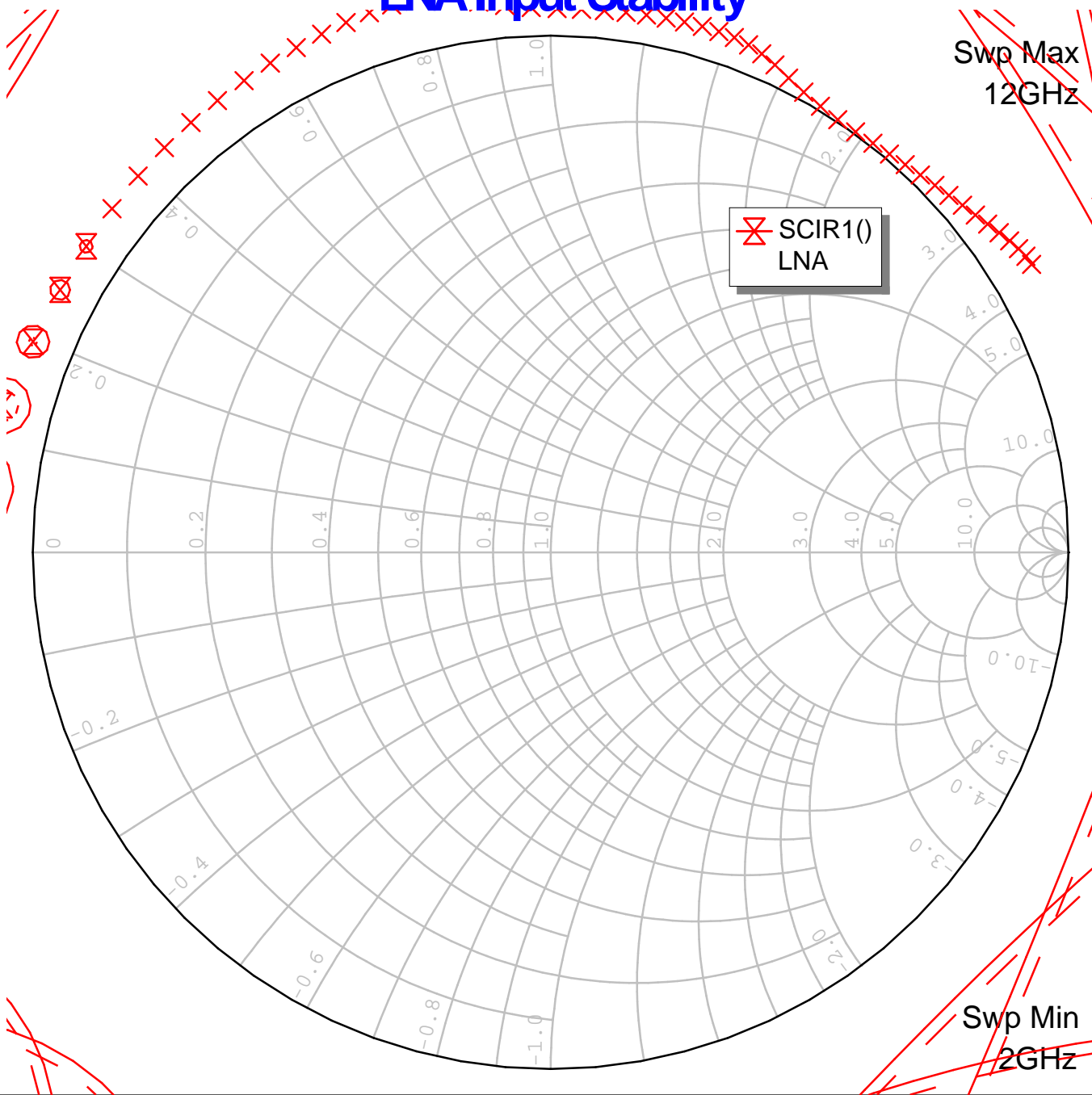
LNA Stability



LNA Input Stability

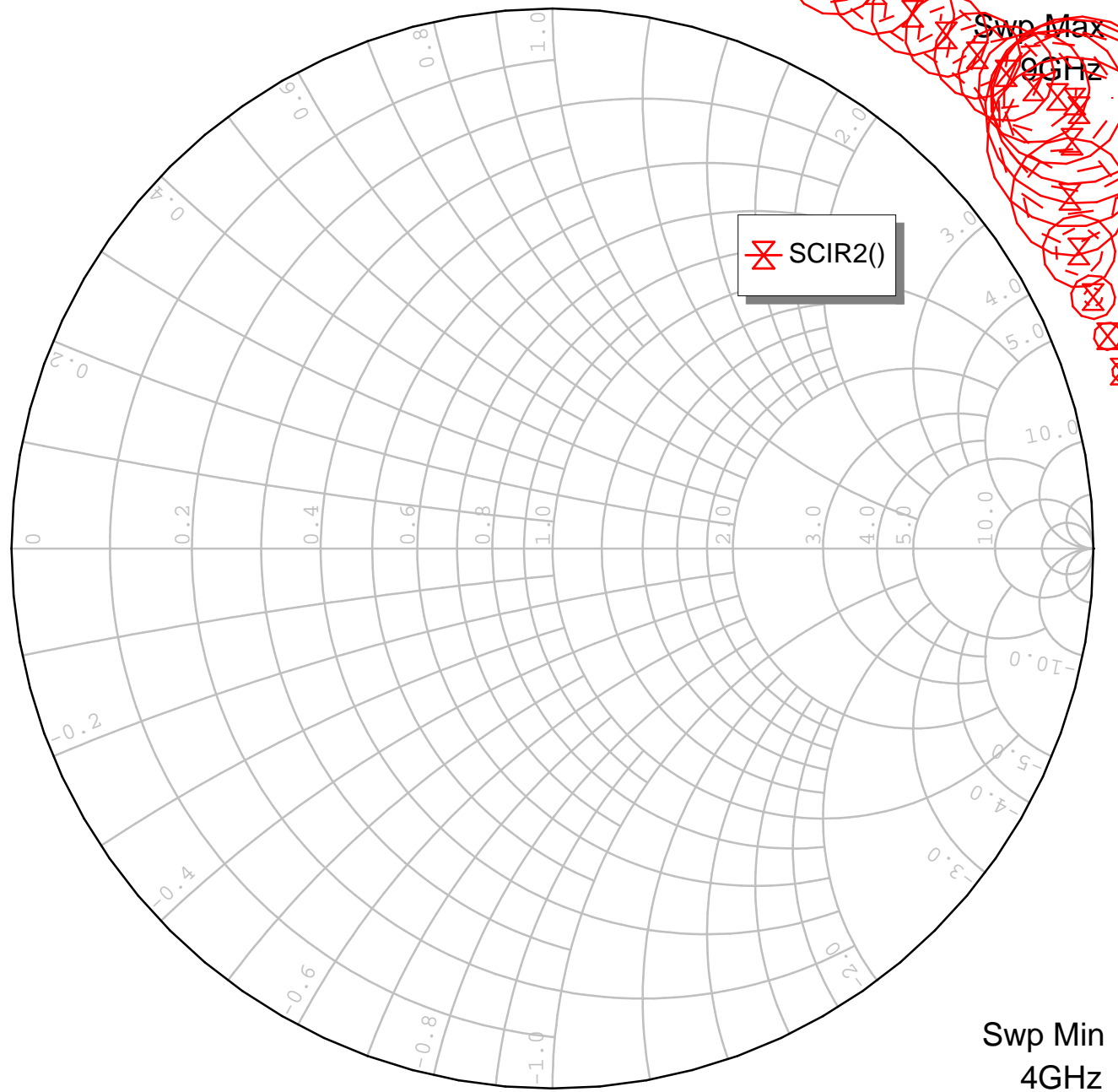
Swp Max
12GHz

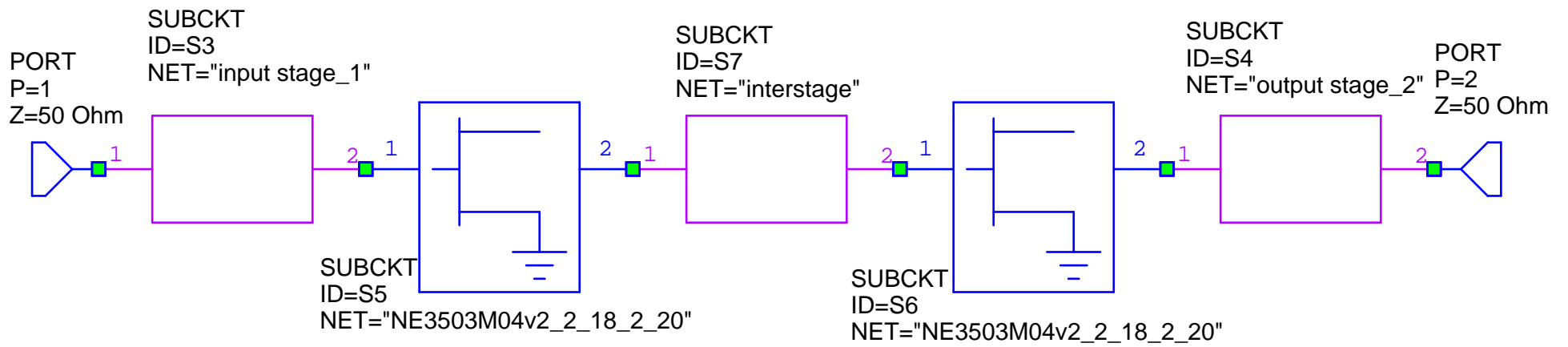
⊗ SCIR1()
LNA

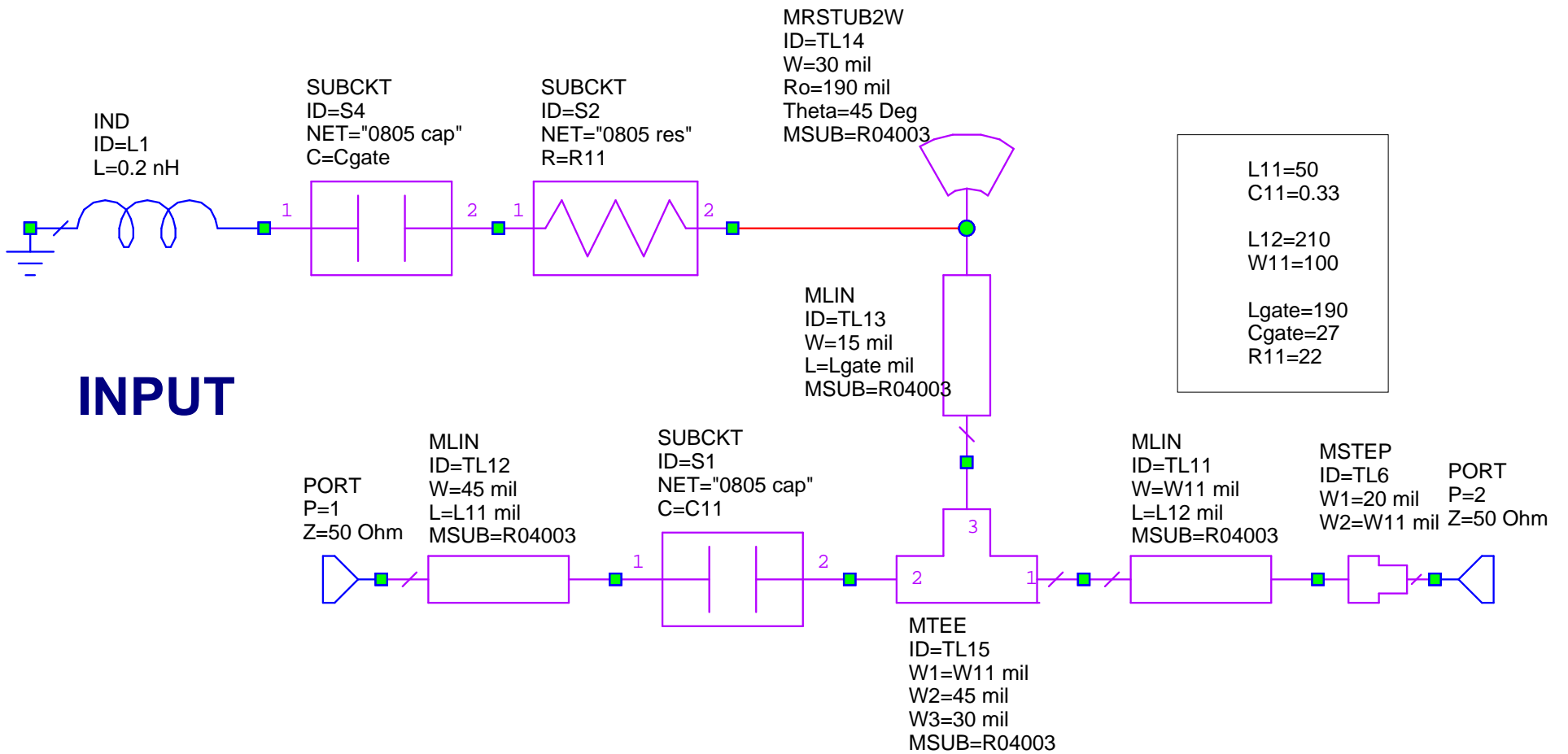


Swp Min
2GHz

LNA Output Stability







INPUT

INTERSTAGE

